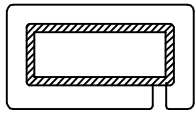
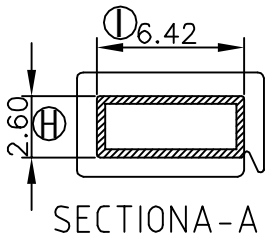


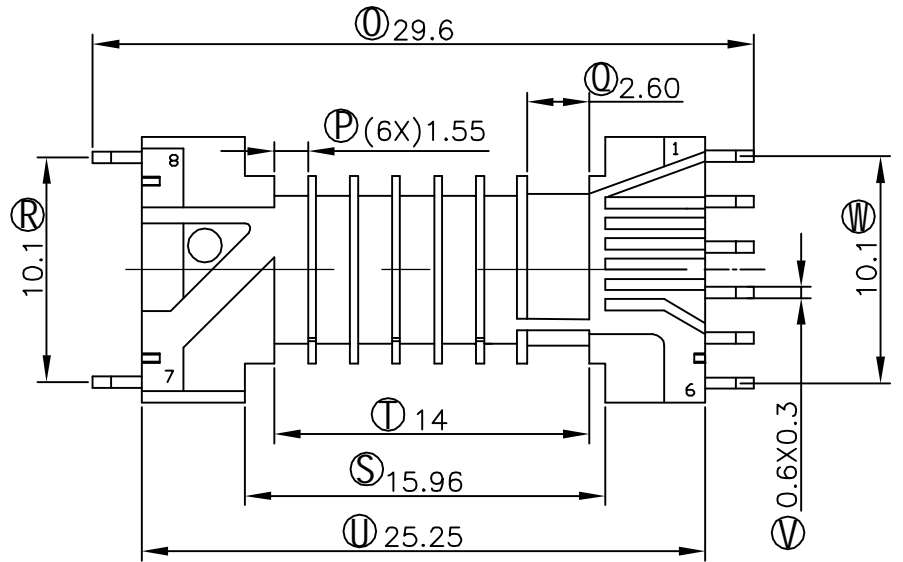
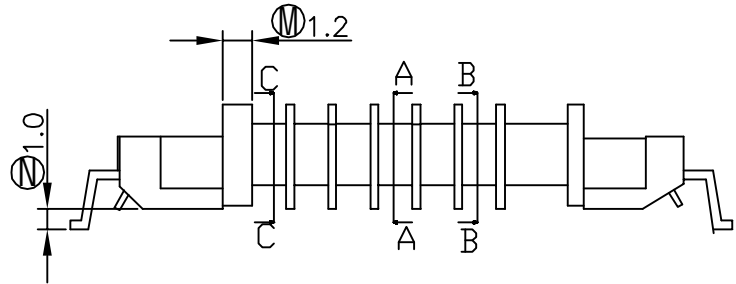
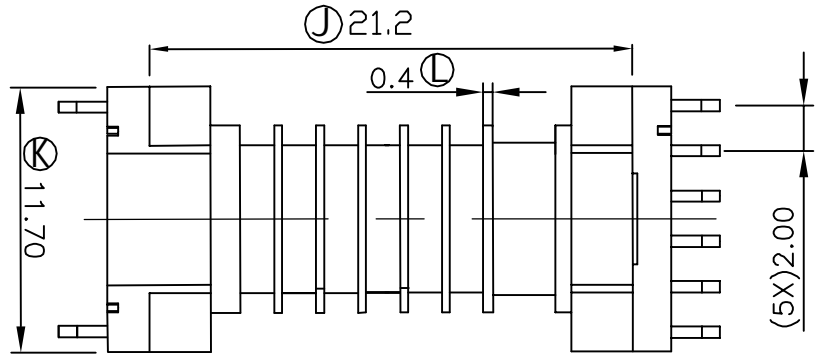
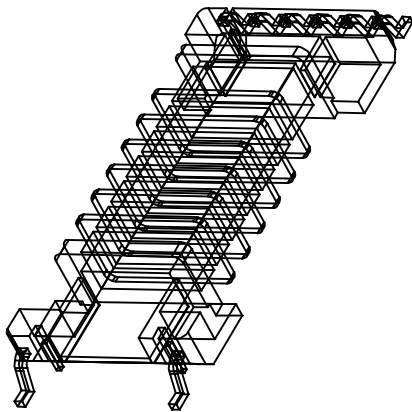
SECTION C-C



SECTION B-B



SECTION A-A



 龙岩双湖实业发展有限公司  
SunHoo Industry Development Co., Ltd  
TEL: 0597-5639388 FAX: 0597-5639886

ANGLE: ±1°	MODEL NAME: UU-11 (8PIN)	
UNIT: MM	UL REC: UL94V-0	BOBBIN MATERIAL: L. C. P E-4008
PIN TENSION LOAD: 1.0KG MIN		PIN MATERIAL: PHOSPHOR BRONZE
SCALE: 3:1	DATE: 2006-10-10	REV: 0

REV	DATE	REVISIONS REC