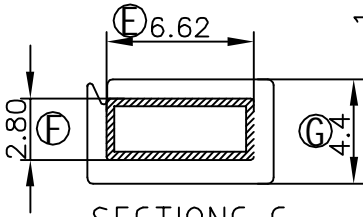
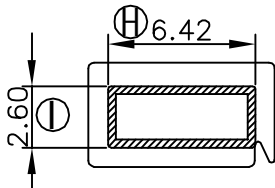


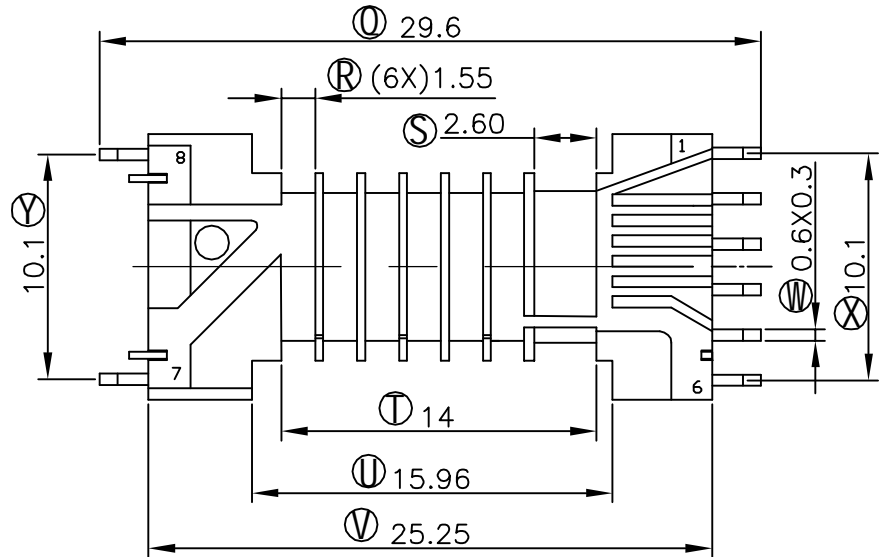
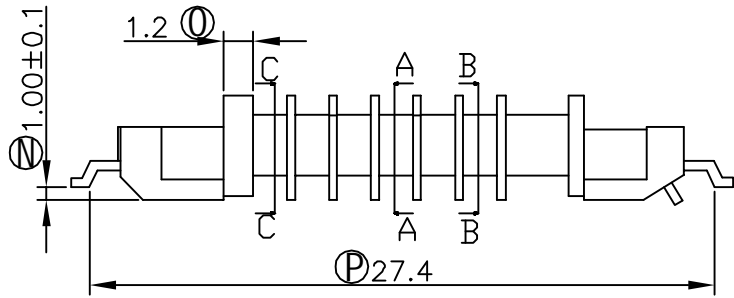
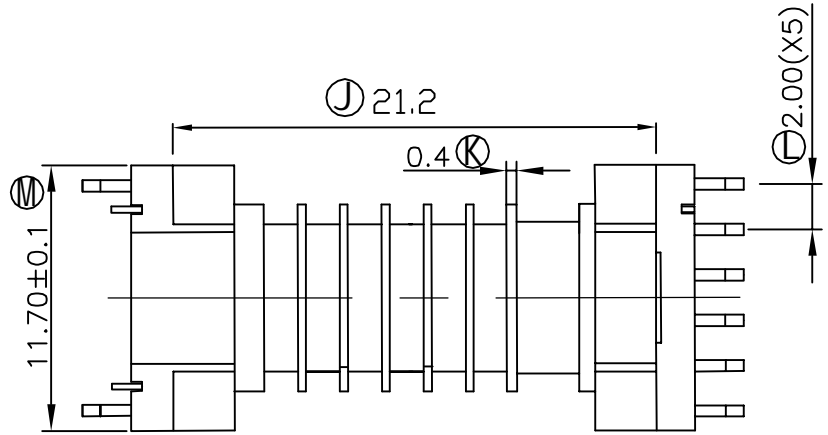
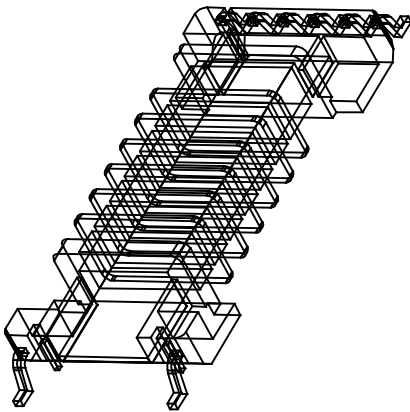
SECTION C-C



SECTION B-B



SECTION A-A



龙岩双湖实业发展有限公司
 SunHoo Industry Development Co., Ltd
 TEL: 0597-5639388 FAX: 0597-5639886

DRAFTER LI JING

TOLERANCE	
0<L≤4	±0.1
4<L≤16	±0.2
16<L≤60	±0.3
PIN PITCH	±0.2

CHECKER SHEN SHI

ANGLE: ±1°	MODEL NAME: UU-11 (8PIN)	
UNIT: MM	UL REC: UL94V-0	BOBBIN MATERIAL: L. C. P E-4008
PIN TENSION LOAD: 1.0KG MIN	PIN MATERIAL: PHOSPHOR BRONZE	
SCALE: 3:1	DATE: 2006-10-10	REV: 0

REV	DATE	REVISIONS	REC