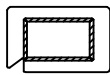
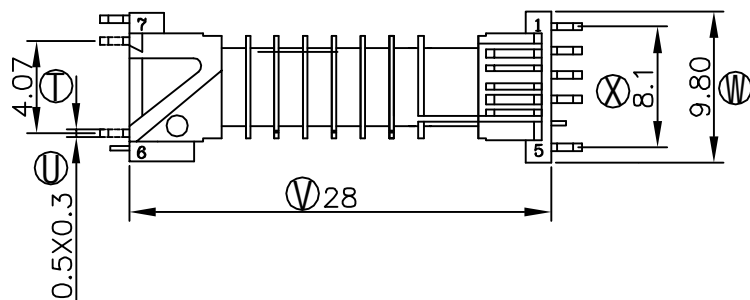
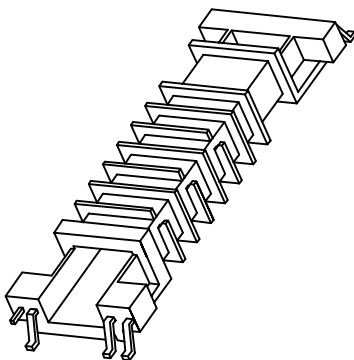
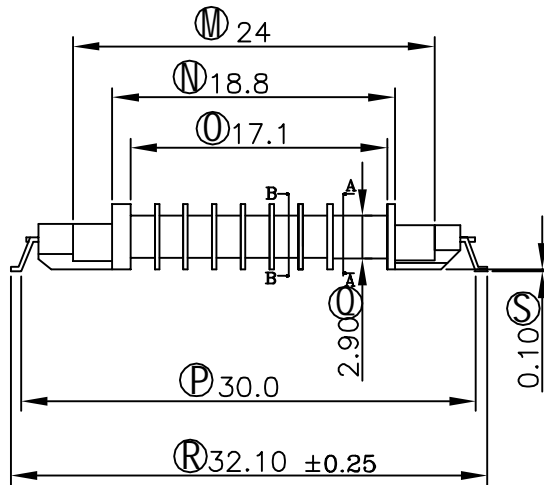


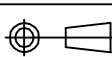
SECTION A-A



SECTION B-B



 龙岩双湖实业发展有限公司
SunHoo Industry Development Co., Ltd
TEL: 0597-5639388 FAX: 0597-5639886

ANGLE: ±1°	MODEL NAME: UI-90(8PIN)	
UNIT: MM	UL REC: UL94V-0	BOBBIN MATERIAL: L. C. P E-4008
PIN TENSION LOAD: 1.0KG MIN		PIN MATERIAL: PHOSPHOR BRONZE
SCALE: 3:1		DATE: 2006-10-10 REV: 0

REV	DATE	REVISIONS REC