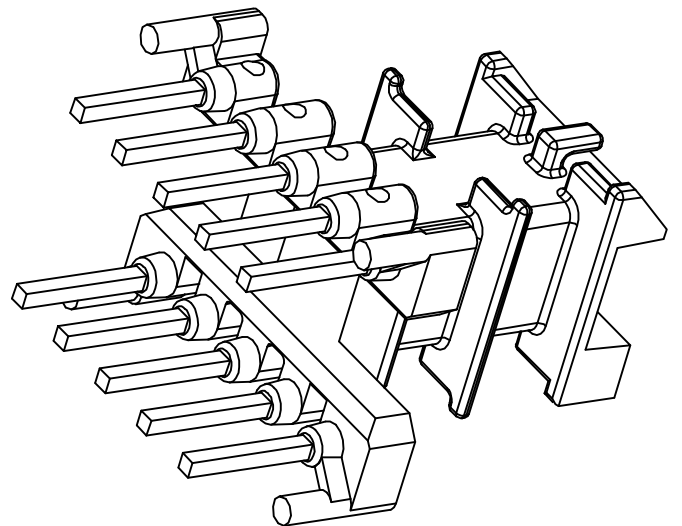
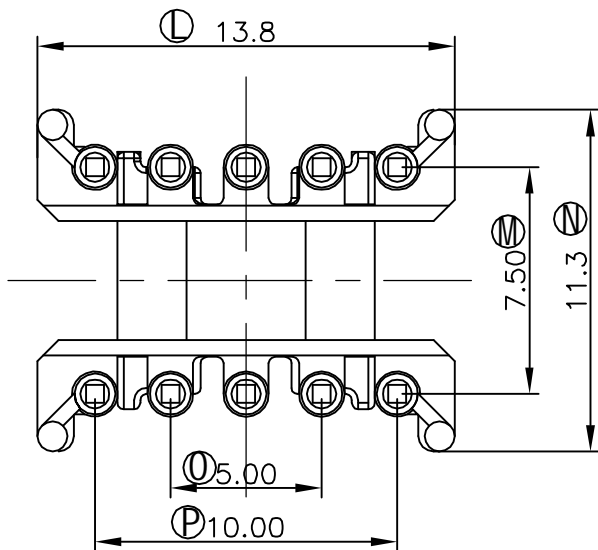
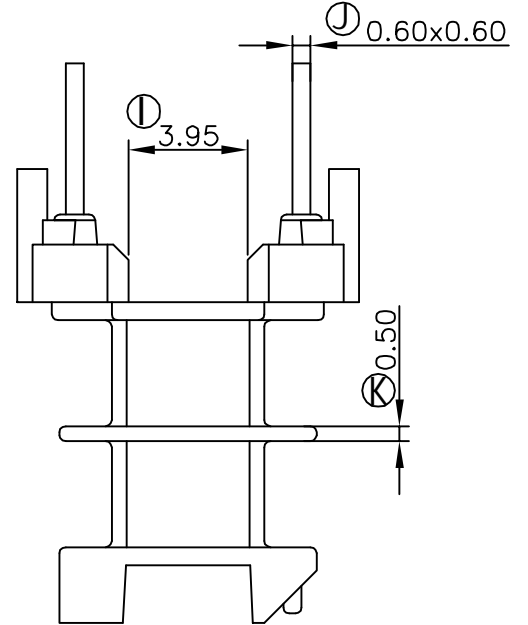
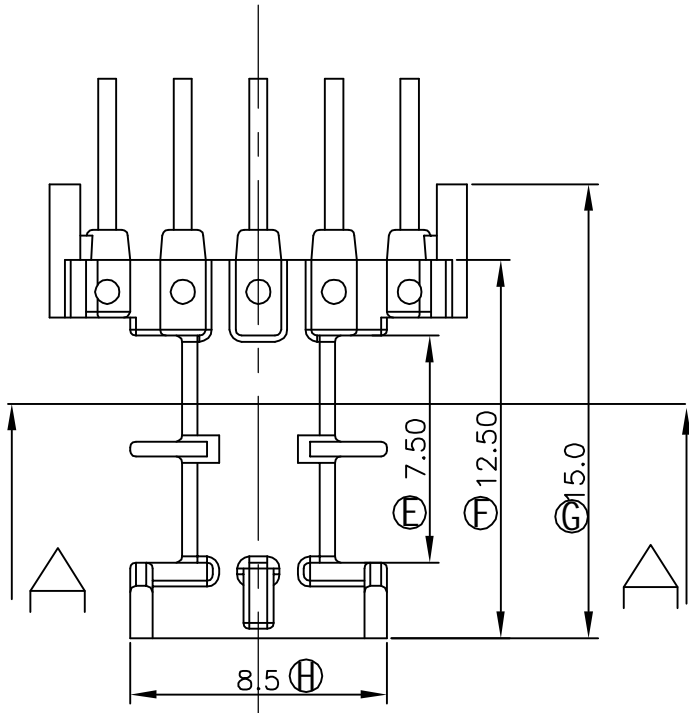


SECTION A-A



龙岩双湖实业发展有限公司
SUNHOO SunHoo Industry Development Co., Ltd
 TEL: 0597-5639388 FAX: 0597-5639886

ANGLE: ±1°	MODEL NAME: EF-12(10PIN)	
UNIT: MM	UL REC: UL94V-0	BOBBIN MATERIAL: PA66
PIN THRSION LOAD: 1.0KG MIN	PIN MATERIAL: CP WIRE	
SCALE: 4:1	DATE: 2006-10-10	REV: 0

REV	DATE	REVISIONS REC